



A WORLD LEADER IN FUME
EXTRACTION TECHNOLOGY

AD 4000 iQ

Last Updated on 08.04.2021



The AD 4000 iQ delivers superior and measurable performance, ensuring airflow and filtration is maintained even when particulates start to build up from the triple DeepPleat DUO and combined filter setup.

This makes it suitable for the most demanding and complex installations, so you can rely on extended filter life.

It's user friendly too, with a design that makes easy work of filter changes and the easy to read and access controls display panel is conveniently located on top of the unit.

The AD 4000 iQ design permits greater flexibility. Different exhaust configurations allow recirculation via the rear panel or externally vented hose connection systems.

More information about the [Intelligent Operating System \(iQ\)](#).

Technology



Intelligent
Operating System
(iQ)



DeepPleat DUO



HEPA filter



Automatic flow
control
technology



Reverse flow air
technology



Advanced carbon
filter technology



Patented
technology



ProTECT service
plan



SureCHECK
quality standard

Key features of the AD 4000 iQ

iQ Operating System
Standard

3 x DeepPleat DUO pre-filters
Standard

Contact BOFA at <https://bofainternational.com/en/contact/>

<https://bofainternational.com/en/portal/datasheets/ad-4000-iq/>



Approvals: REACH and RoHS. See individual product technical data for specific accreditations

Reverse flow air filter technology

Standard

Blowers with high airflow and vacuum levels

Standard

Real time airflow reading

Standard

Remote diagnostics via USB

Standard

Long life filters with low replacement cost

Standard

Remote stop / start interface

Optional

VOC gas sensor (Volatile Organic Compound)

Optional

On-board compressor

Optional

Combined HEPA/Gas filter incorporating ACF technology

Standard

High contrast display

Standard

Filter status warnings

Standard

Independent filter condition monitoring

Standard

'Run safe' operation (filters must be installed correctly for the unit to operate)

Standard

Filter change / System fail signal

Optional

Interfacing with host laser

Optional

Technical specification

1 iQ display

2 Standby button

3 Signal / interface cable

4 Power cable inlet

5 Adjustable locking castors

6 Door hinges

7 Exhaust outlet

8 Hose inlet connection - 200mm

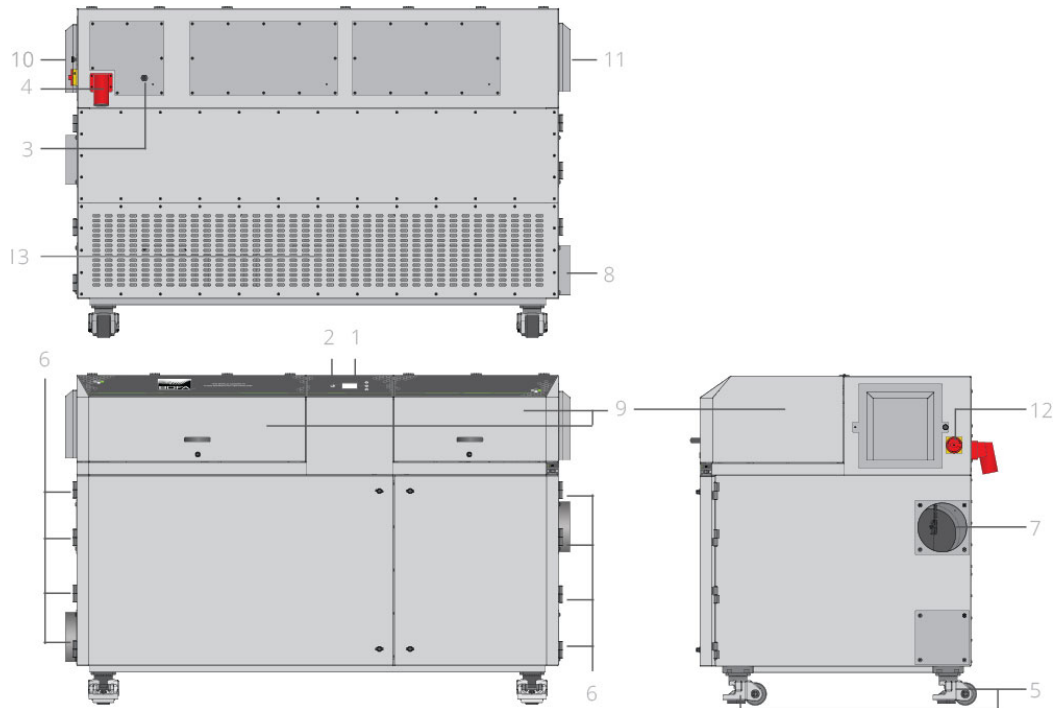
9 Removable front panels

10 Motor cooling inlet

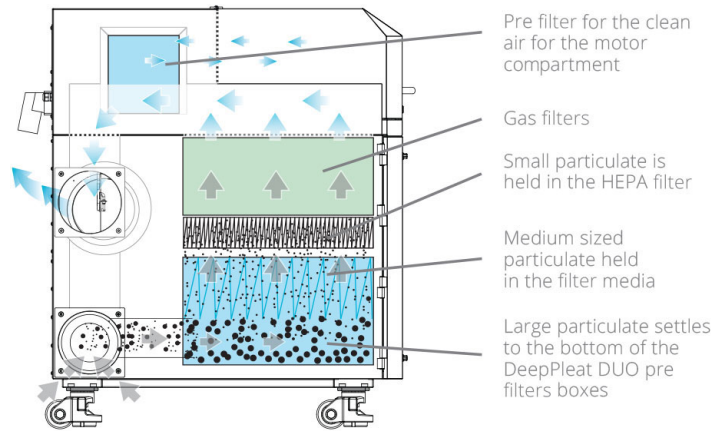
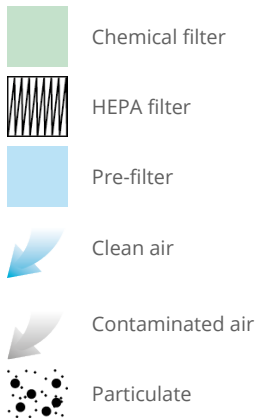
11 Motor cooling outlet

12 On / off switch

13 Exhaust outlet vent



Airflow through filters



Technical data

	EU	US
Dimensions (H x W x D) (height varies due to adjustable castors)	1300 x 1955 x 1100mm	51.18 x 76.97 x 43.31"
Cabinet construction	Powder coated mild steel	Powder coated mild steel
Airflow/Pressure	2900m ³ /hr / 44mbar	1705cfm / 44mbar
Electrical data	(EU) 415V / Three-phase 3~ / 50Hz / 6.6kw / 16A / L1, L2, L3 17A - N 1A	(EU) 415V / Three-phase 3~ / 50Hz / 6.6kw / 16A / L1, L2, L3 17A - N 1A
Noise level	< 82dBA (at typical operating speed)	< 82dBA (at typical operating speed)
Weight	580kgs	1276lbs
Approvals	UKCA and CE	UKCA and CE

3 x Combined HEPA/Gas filter specifications

Surface media area	7.5m ² approx x 3 (22.5m ²) 80.7 ft ² approx x 3 (242.1 ft ²)
HEPA filter media	Borosilicate
HEPA filter media area	49.5m ² x 2 = 99m ²
HEPA media construction	Maxi pleat construction with glue bead spacers
Filter housing	Zintec mild steel
Treated activated carbon	34kgs (102kgs) 74.8 lbs (224.4 lbs)
Filter efficiency	99.997% @ 0.3 microns

3 x DeepPleat DUO pre-filter specifications

Surface media area	30m ² approx x 3 (90m ²) 322.8 ft ² approx x 3 (968.4 ft ²)
Filter media	Borosilicate
Filter media construction	Maxi pleat construction with glue bead spacers
Filter housing	Zintec mild steel
Filter efficiency	95% @ 0.9 microns
Inlet size	125mm (0.41ft)

3 x DeepPleat DUO pre-filter specifications

Dropout chamber size	58 litres x 3 (174 litres)
Filter media pleat size	200mm x 3 (600mm) 0.65ft x 3 (1.95ft)

Unit part numbers

Model	24V stop / start	Filter change / System failure signal	VOC monitoring	Part no.
AD 4000 iQ powder coated	YES	YES	NO	296295812128-1743
AD 4000 iQ powder coated	YES	YES	YES	304395812128-1743

Replacement filter part numbers

Model	Triple pack DeepPleat DUO pre-filters	Triple pack combined HEPA/Gas filters
AD 4000 iQ	A1030407	A1030406

Other languages

AD 4000 iQ
[French](#)

AD 4000 iQ
[German](#)

Datasheet correct at time of publishing.

Where applicable, the carbon used in BOFA units is capable of removing a wide range of VOCs, however it is the responsibility of the user to ensure the carbon is suitable for their application. For specific applications, please contact us for details.

Important Notice: *Many factors beyond the control of BOFA can affect the use and performance of BOFA products in a particular application, including the conditions under which the product is used. Since these factors are uniquely within the user's knowledge and control, it is essential the user evaluate the products to determine whether the product is fit for the particular purpose and suitable for the user's application. All products, product specifications, availability and data are subject to change without notice, and may vary by region or country.*

Think before you print! Please consider the environment before printing this document.

